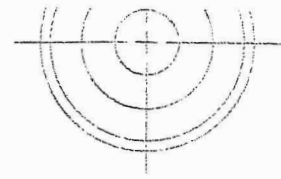


For problems 10 through 13, sketch the three views needed for a multiview drawing. Select appropriate proportions and sizes.



10. Sketch three-view drawings for the objects in Figure 2-75A through 2-75P.

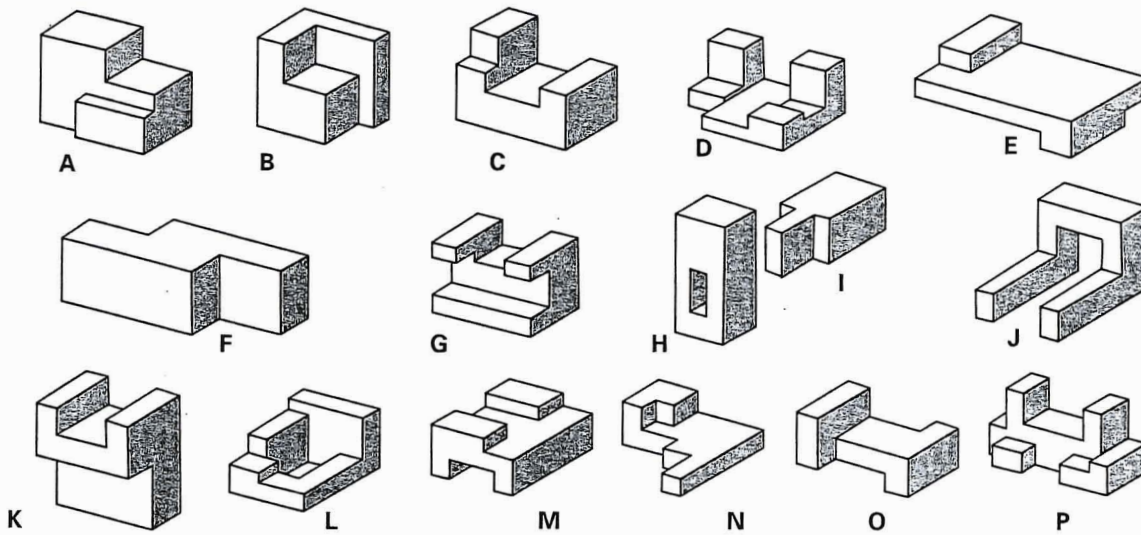


Figure 2-75

11. Sketch three-view drawings for the objects in Figure 2-76A through 2-76T.

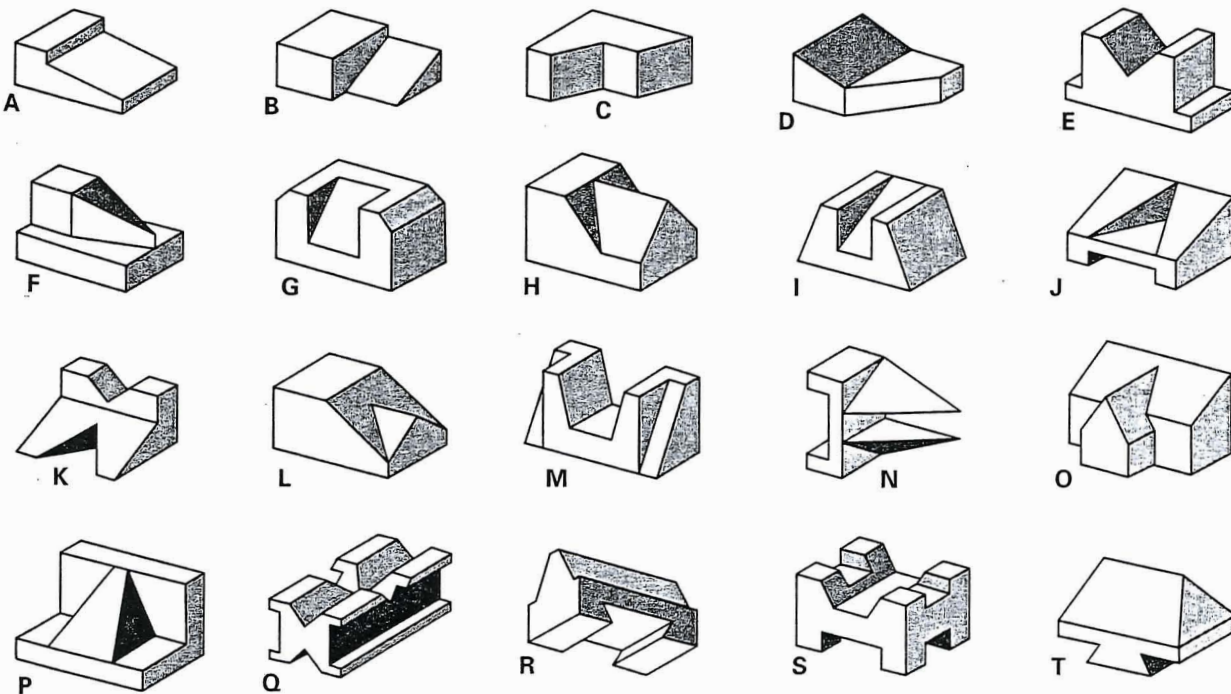


Figure 2-76